

Standalone Keypad Access Control

User Manual



Please read the manual carefully before use this unit

1. Packing List

| Name | Quantity | Remarks |
|---------------------|----------|-------------------------------|
| Keypad | 1 | |
| User manual | 1 | |
| Screw driver | 1 | Φ20mm×60mm,Special for keypad |
| Rubber plug | 2 | Φ6mm×30 mm, used for fixing |
| Self tapping screws | 2 | Φ4mm×28 mm, used for fixing |
| Star screws | 1 | Φ3mm×6mm, used for fixing |

Please ensure that all the above contents are correct. If any are missing please notify the supplier of the unit.

2. Quick Reference Programming Guide

| | |
|---|---|
| To enter the programming mode | * [Master code] # 999999 is the default factory master code |
| To exit from the programming mode | * |
| Note that to undertake the following programming the master user must be logged in | |
| To change the master code | 0 [New code] # [New code] # The master code can be 6 to 8 digits |
| To add a PIN user. | 1 [User ID number] # [PIN] # The ID number is any number between 1 & 2000. The PIN is any four digits between 0000 & 9999 with the exception of 1234 which is reserved. Users can be added continuously without exiting programming mode |
| To add a card user | 1 [Read Card] # Cards can be added continuously without exiting programming mode |
| To delete a PIN or a card user. | 2 [User ID number] # for a PIN user or 2 [Read Card] # for a card user Users can be deleted continuously without exiting |

| | |
|------------------------------------|--|
| | programming mode |
| To unlock the door for a PIN user | Enter the <input type="text" value="PIN"/> then press <input type="button" value="#"/> |
| To unlock the door for a card user | Present the card |

3. Description

The unit is single door multifunction standalone access controller **or** a Wiegand output keypad or card reader. It is suitable for mounting either indoor or outdoor in harsh environments. It is housed in a strong, sturdy and vandal proof Zinc Alloy electroplated case which is available in either a bright silver or matt silver finish. The electronics are fully potted so the unit is waterproof and conforms to IP68. This unit supports up to 2000 users in either a Card, 4 digit PIN, or a Card + PIN option. The inbuilt card reader supports 125KHZ EM cards, 13.56MHz Mifare cards. The unit has many extra features including lock output current short circuit protection, Wiegand output, and a backlit keypad. These features make the unit an ideal choice for door access not only for small shops and domestic households but also for commercial and industrial applications such as factories, warehouses, laboratories, banks and prisons.

4. Features

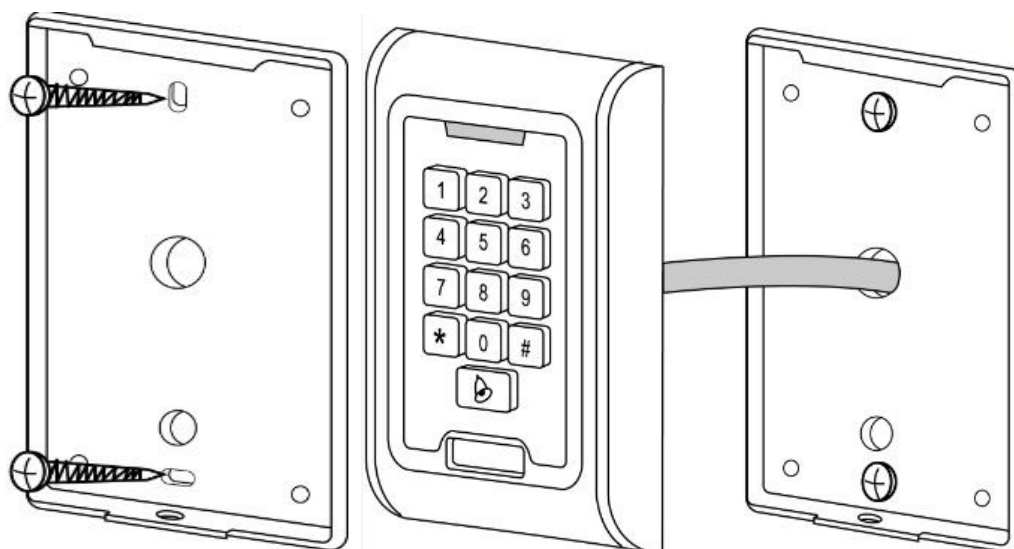
- Waterproof, conforms to IP68
- Strong Zinc Alloy Electroplated anti-vandal case
- Full programming from the keypad
- 2000 users, supports Card, PIN, Card + PIN
- Can be used as a stand alone keypad
- Backlight keys
- Wiegand 26 input for connection to external reader
- Wiegand 26 output for connection to a controller
- Adjustable Door Output time, Alarm time, Door Open time
- Very low power consumption (30mA)
- Fast operating speed, <20ms with 2000 users
- Lock output current short circuit protection
- Easy to install and program
- Built in light dependent resistor (LDR) for anti tamper
- Built in buzzer
- Red, Yellow and Green LEDS display the working status

5. Specifications

| | |
|----------------------------|---|
| Operating Voltage | DC 12V \pm 10% |
| User Capacity | 2000 |
| Card Reading Distance | 3-6 cm |
| Active Current | <60mA |
| Idle Current | 25 \pm 5 mA |
| Lock Output Load | Max 3A |
| Alarm Output Load | Max 20A |
| Operating Temperature | -45 $^{\circ}$ C \sim 60 $^{\circ}$ C |
| Operating Humidity | 10%- 90% RH |
| Waterproof | Conforms to IP68 |
| Adjustable Door Relay time | 0 -99 seconds |
| Adjustable Alarm Time | 0- 3 minutes |
| Wiegand Interface | Wiegand 26 bit |
| Wiring Connections | Electric Lock, Exit Button, External Alarm, External reader |

6. Installation

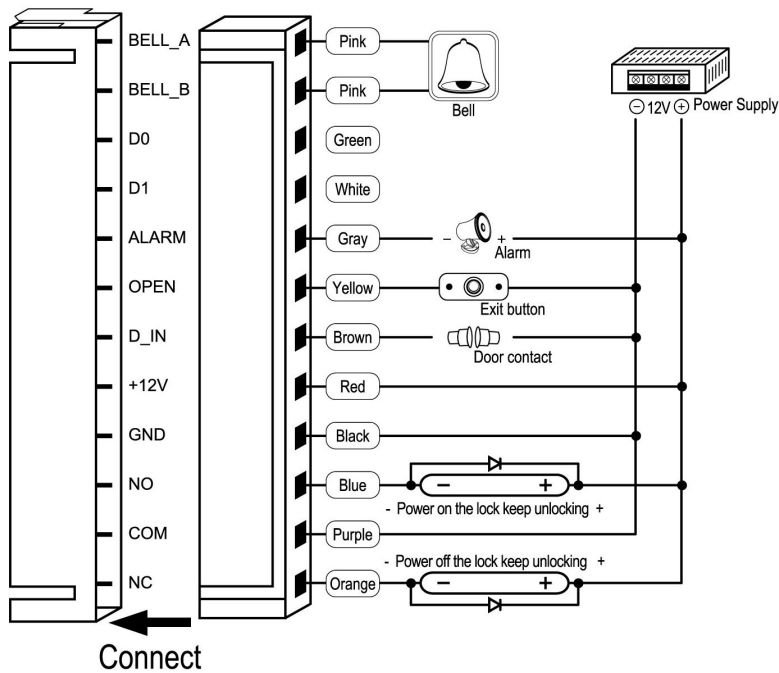
- Remove the back cover from the keypad using the supplied special screw driver
- Drill 2 holes on the wall for the Self tapping screws and 1 hole for the cable
- Put the supplied rubber bungs to into the two holes
- Fix the back cover firmly on the wall with 2 Self tapping screws
- Thread the cable through the cable hole
- Attach the keypad to the back cover.



7. Wiring

| Colour | Function | Description |
|-----------|----------|---|
| Pink | BELL_A | Doorbell button one end |
| Pale blue | BELL_B | Doorbell button to the other end |
| Green | D0 | WG output D0 |
| White | D1 | WG output D1 |
| Grey | ALARM | Alarm negative(alarm positive connected 12 V+) |
| Yellow | OPEN | Exit button one end(the other end connected GND) |
| Brown | D_IN | Magnetic switch one end(the other end connected GND) |
| Red | 12V+ | 12V + DC Regulated Power Input |
| Black | GND | 12V - DC Regulated Power Input |
| Blue | NO | Relay normally-on end(Connect positive electric lock "-") |
| Purple | COM | Relay Public end, connect GND |
| Orange | NC | Relay Closed end(connect negative electric lock "-") |

common power supply diagram:



| | | | | |
|---------------|--------|--------|---|-------|
| mode | | | | |
| Open the door | - | Bright | - | Di |
| Alarm | Bright | - | - | Alarm |

11. Detailed Programming Guide

| | |
|---|---|
| <p>11.1 User Settings</p> <p>To enter the programming mode</p> | <p>* Master code #</p> <p>999999 is the default factory master code</p> |
| To exit from the programming mode | * |
| Note that to undertake the following programming the master user must be logged in | |
| To change the master code | 0 New code # New code # |
| The master code can be 6 to 8 digits long | |
| Setting the working mode: | |
| Set valid card only users | 3 0 # Entry is by card only |
| Set valid card and PIN users | 3 1 # Entry is by card and PIN together |
| Set valid card or PIN users | 3 2 # Entry is by either card or PIN (default) |
| To add a user in either card or PIN mode, i.e. in the 3 2 # mode. (Default setting) | |
| To add a PIN user | 1 User ID number # PIN # |
| The ID number is any number between 1 & 2000. The PIN is any four digits between 0000 & 9999 with the exception of 1234 which is reserved. Users can be added continuously without exiting programming mode as follows: | |
| 1 User ID no 1 # PIN # User ID no 2 # PIN # | |
| To delete a PIN user | 2 User ID number # |
| Users can be deleted continuously without exiting programming mode | |
| To change the PIN of a PIN user <i>(This step must be done out of programming mode)</i> | * ID number # Old PIN # New PIN # New PIN # |
| To add a card user (Method 1) This is the fastest way to enter cards, user ID number auto generation. | 1 Read card # |
| Cards can be added continuously without exiting programming mode | |

| | |
|--|---|
| <p>To add a card user (Method 2)</p> <p>This is the alternative way to enter cards using User ID Allocation. In this method a User ID is allocated to a card. Only one user ID can be allocated to a single card.</p> | <p>1 ID number # Read card #</p> <p>User can be added continuously without exiting programming mode</p> |
| <p>To add a card user (Method 3)</p> <p>Card number is the last 8 digits printed on the back of the card, user ID number auto generation</p> | <p>1 Card number #</p> <p>User can be added continuously without exiting programming mode</p> |
| <p>To add a card user (Method 4)</p> <p>In this method a User ID is allocated to a card number. Only one user ID can be allocated to the card number</p> | <p>1 ID number. # Card number. #</p> <p>User can be added continuously without exiting programming mode</p> |
| <p>To delete a card user by card. Note users can be deleted continuously without exiting programming mode</p> | <p>2 Read Card #</p> |
| <p>To delete a card user by user ID. This option can be used when a user has lost their card</p> | <p>2 User ID #</p> |
| <p>To delete a card user by card number.</p> <p>This option can be used when the user want to make the change but the card has lost</p> | <p>2 Card number #</p> <p>Note users can be deleted continuously without exiting programming mode</p> |
| <p>To add a card and PIN user in card and PIN mode (3 1 #)</p> | |
| <p>To Add a card and Pin user</p> <p>(The PIN is any four digits between 0000 & 9999 with the exception of 1234 which is reserved.)</p> | <p>Add the card as for a card user</p> <p>Press * to exit from the programming mode</p> <p>Then allocate the card a PIN as follows:</p> <p>* Read card 1234 # PIN # PIN #</p> |
| <p>To change a PIN in card and PIN mode (Method 1) Note that this is done outside programming mode so the user can undertake this themselves</p> | <p>* Read Card Old PIN # New PIN # New PIN #</p> |
| <p>To change a PIN in card and PIN mode (Method 2) Note that this is done outside</p> | <p>* ID number # Old PIN # New PIN # New PIN #</p> |

| | |
|---|---|
| programming mode so the user can undertake this themselves | |
| To delete a Card and PIN user just delete the card | 2 [User ID] # |
| To add a card user in card mode (3 0 #) | |
| To Add and Delete a card user | The operating is the same as adding and deleting a card user in 3 2 # |
| To delete All users | |
| To delete ALL users . Note that this is a dangerous option so use with care | 2 0000 # |
| To unlock the door | |
| For a PIN user | Enter the [PIN] then press # |
| For a card User | [Read card] |
| For a card and PIN user | [Read card] then enter [PIN #] |

11.2 Door Settings

| | |
|--|--|
| Relay Output Delay Time | |
| To set door relay strike time | * [Master code] # 4 0~99 #* 0-99 is to set the door relay time 0-99 seconds |
| Door Open Detection | |
| <p><i>Door Open Too Long (DOTL) warning.</i> When used with an optional magnetic contact or built-in magnetic contact of the lock, if the door is opened normally, but not closed after 1 minute, the inside buzzer will beep automatically to remind people to close the door and continue for 1 minute before switching off automatically.</p> <p><i>Door Forced Open warning.</i> When used with an optional magnetic contact or built-in magnetic contact of the lock, if the door is forced open, or if the door is opened after 20 seconds, the inside buzzer and alarm output will both operate. The Alarm Output time is adjustable between 0-3 minutes with the default being 1 minute.</p> | |
| To disable door open detection. (Factory default) | 6 0 # |
| To enable door open detection | 6 1 # |
| Alarm output time | |
| To set the alarm output time (0-3 minutes) Factory default is 1 minute | 5 0~3 # |
| Keypad Lockout & Alarm Output options. If there are 10 invalid cards or 10 incorrect PIN numbers in a 10 minute period either the keypad will lockout for 10 minutes or both the alarm and the inside buzzer will operate for 10 minutes, depending on the option selected below. | |
| Normal status: No keypad lockout or alarm (factory default) | 7 0 # (Factory default setting) |
| Keypad Lockout | 7 1 # |
| Alarm and inside buzzer operate | 7 2 # |
| To remove the alarm | |
| To reset the Door Forced Open warning | [Read valid card] or [Master Code #] |
| To reset the Door Open Too Long warning | Close the door or [Read valid card] or [Master Code #] |

12.The unit operating as a Wiegand Output Reader

In this mode the unit supports a Wiegand 26 bit output so the Wiegand data lines can be connected to any controller which supports a Wiegand 26 bit input.

