



Compact splicing connector; 3-conductor terminal block; with operating levers; max. continuous service temperature 85°C

Item No.: 222-413



Compact splicing connector; 3-conductor terminal block; with operating levers; max. continuous service temperature 85°C

Marking

RoHS ✓
Compliant

Business data

Supplier	WAGO
Item no.	222-413
GTIN / EAN	4017332955676
Content	1
Order amount	50
Customer item number	

Notes

Technical data

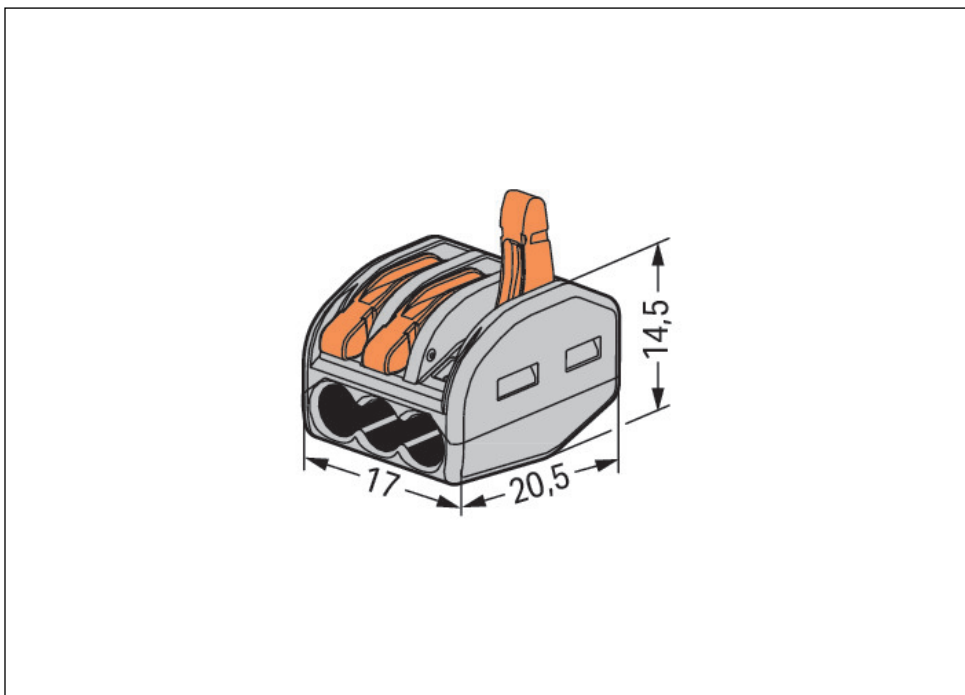
Miscellaneous

Safety information 1	In grounded power lines
Rated voltage (II / 2) [V]	400 [V]
Rated impulse voltage (II / 2) [kV]	4 [kV]
Rated current [A]	32 [A]
Legend (ratings)	(II / 2) Overvoltage category II / Pollution degree 2

Technical data	
<i>Connection technology</i>	<i>CAGE CLAMP®</i>
<i>Actuation type</i>	<i>Operating lever</i>
<i>Connectable conductor materials</i>	<i>Copper</i>
<i>Solid conductor</i>	<i>0.08 ... 2.5 mm² / 28 ... 12 AWG</i>
<i>Stranded conductor</i>	<i>0.08 ... 2.5 mm² / 28 ... 12 AWG</i>
<i>Fine-stranded conductor</i>	<i>0.08 ... 4 mm² / 28 ... 12 AWG</i>
<i>Strip length</i>	<i>9 ... 10 mm / 0.35 ... 0.39 Inch</i>
<i>Total number of connection points</i>	<i>3</i>
<i>Total number of potentials</i>	<i>1</i>
<i>Type of wiring</i>	<i>Side-entry wiring</i>
<i>Width</i>	<i>17 mm / 0.669 Inch</i>
<i>Height</i>	<i>14.5 mm / 0.571 Inch</i>
<i>Depth</i>	<i>20.5 mm / 0.807 Inch</i>
<i>Color</i>	<i>gray</i>
<i>Flammability class per UL94</i>	<i>V2</i>
<i>Fire load [MJ]</i>	<i>0.088 [MJ]</i>
<i>Weight [g]</i>	<i>4.283 [g]</i>
<i>Ambient temperature (operation)</i>	<i>40 °C</i>
<i>Continuous operating temperature up to [°C]</i>	<i>85 [°C]</i>
<i>Packaging type</i>	<i>BOX</i>
<i>Main product function</i>	<i>Lever terminal block</i>
<i>Product type</i>	<i>Splicing connectors</i>

Images & drawings





Address

WAGO Kontakttechnik GmbH & Co. KG

Hansastr. 27

32423 Minden

Telefon: 0571/887-0

Fax: 0571/887-169

<http://www.wago.com>

© WAGO Kontakttechnik GmbH & Co. KG

Technische Änderungen und Irrtümer vorbehalten.